

D0681-0001



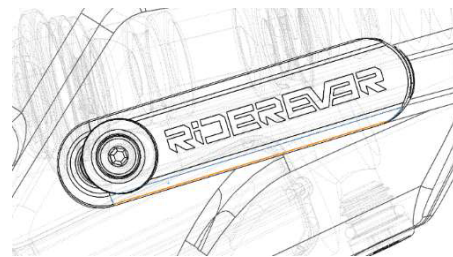
Reedsensor easy maintenance

若遇到 error 33 或 未按壓煞車就斷電

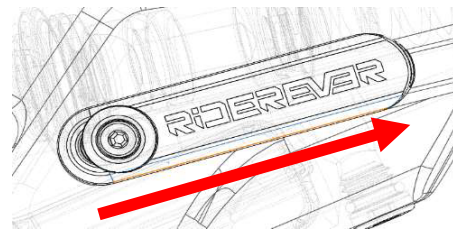
If appear error 33 or power off without press the brake

You can adjust the reedsensor by following below steps

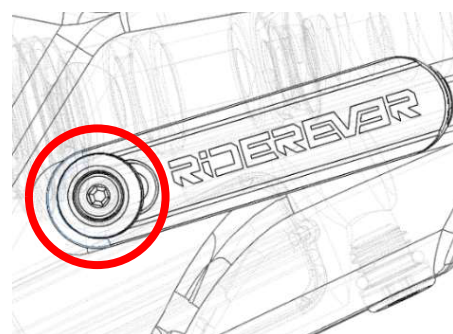
- 步驟 1：使用 1.5mm 六角板手鬆開螺絲
- Step1: Use the 1.5mm Allen key to loosen the screw
- 步驟 2：依箭頭方向移動磁簧座
- Step2: Move the reedsensor holder according to the direction as shown (move it to right side as possible)
- 步驟 3：確認位置後使用 1.5mm六角板手鎖上螺絲 (建議扭力 0.35N.m)
- Step3: After confirming the position, use 1.5mm allen key to tight the screw (recommended tighten torque 0.35N.m)



Step 1



Step2



Step3

D0681-0001



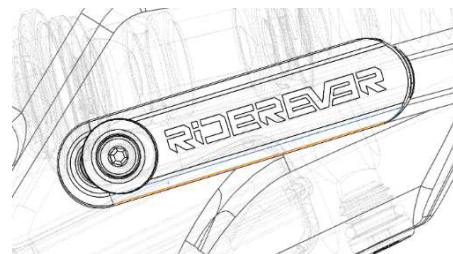
Reedsensor easy maintenance

若遇到 error 33 或 未按壓煞車就斷電

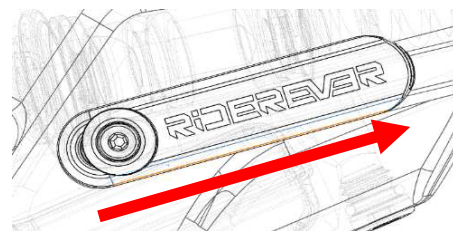
If appear error 33 or power off without press the brake

You can adjust the reedsensor by following below steps

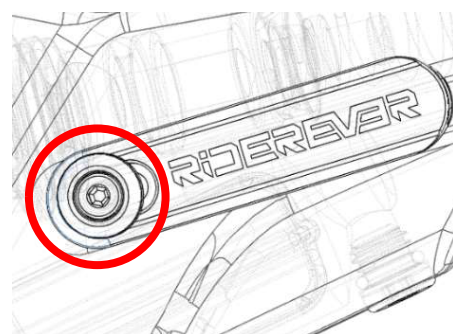
- 步驟 1：使用 1.5mm 六角板手鬆開螺絲
- Step1: Use the 1.5mm Allen key to loosen the screw
- 步驟 2：依箭頭方向移動磁簧座
- Step2: Move the reedsensor holder according to the direction as shown (move it to right side as possible)
- 步驟 3：確認位置後使用 1.5mm六角板手鎖上螺絲 (建議扭力 0.35N.m)
- Step3: After confirming the position, use 1.5mm allen key to tight the screw (recommended tighten torque 0.35N.m)



Step 1



Step2



Step3